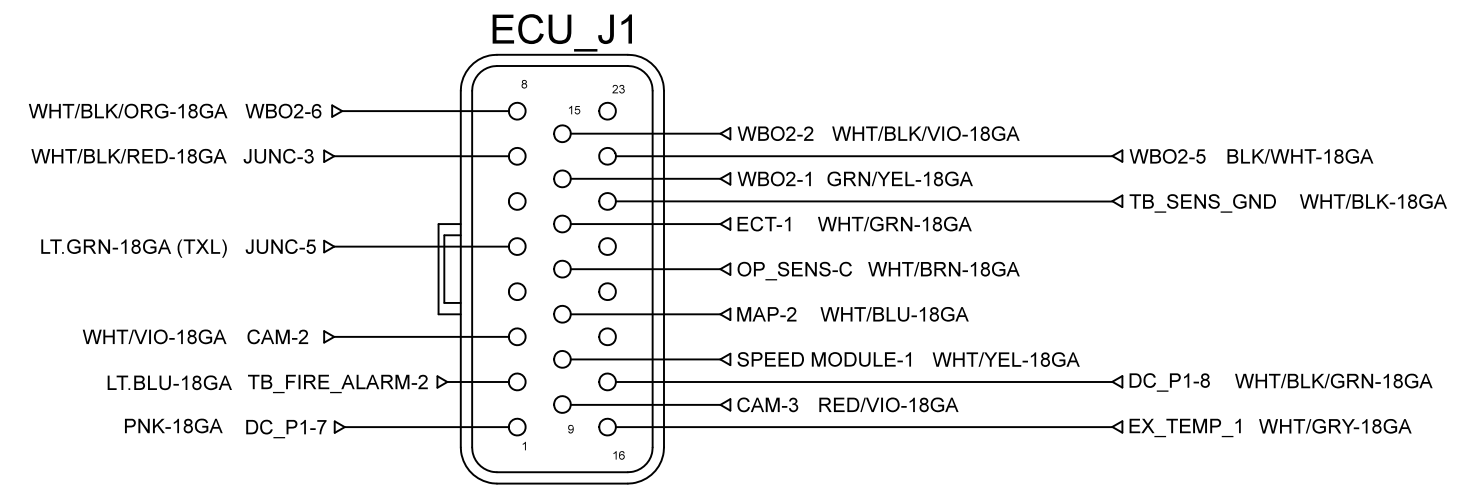
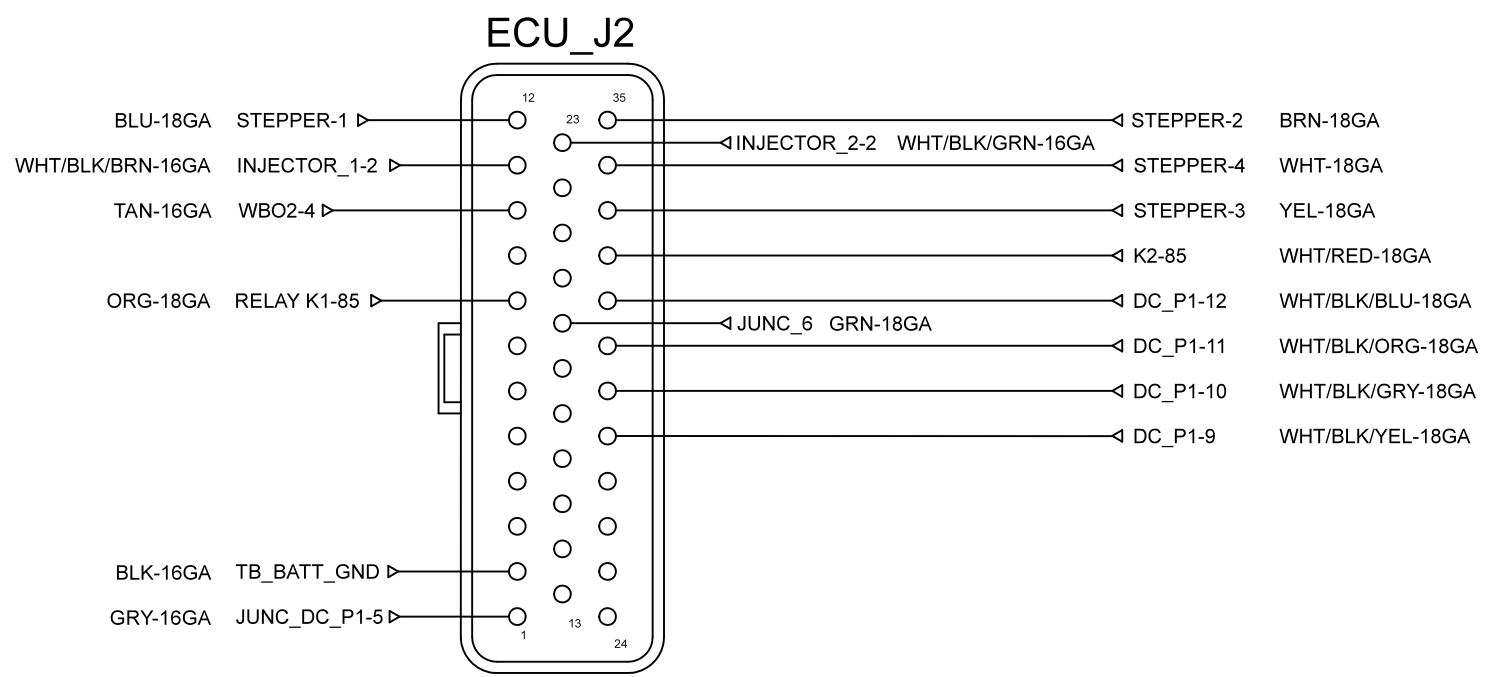
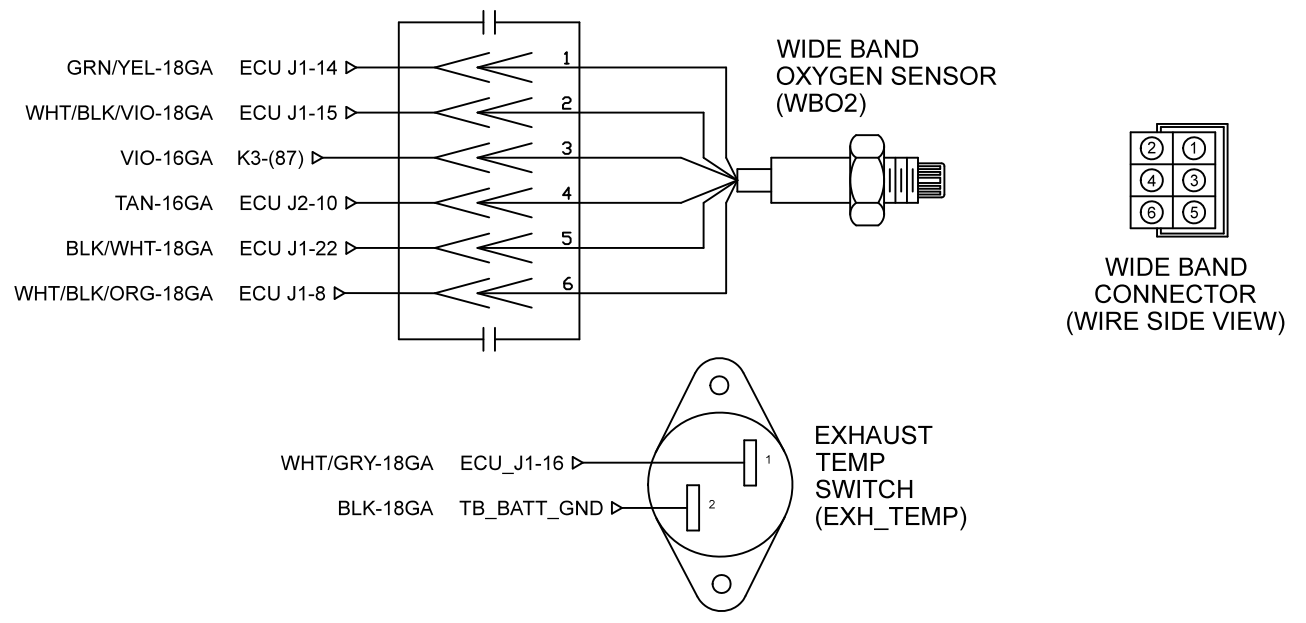


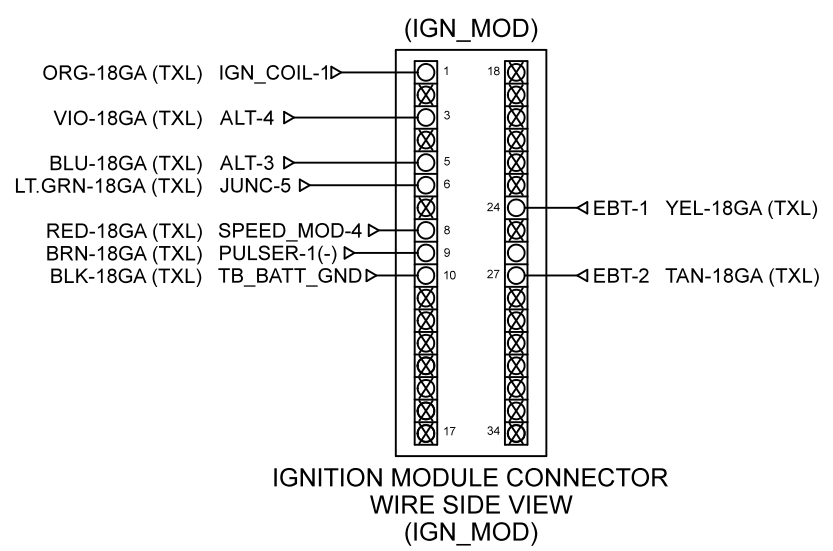
CONNECTIONS LOCATED ON ECU

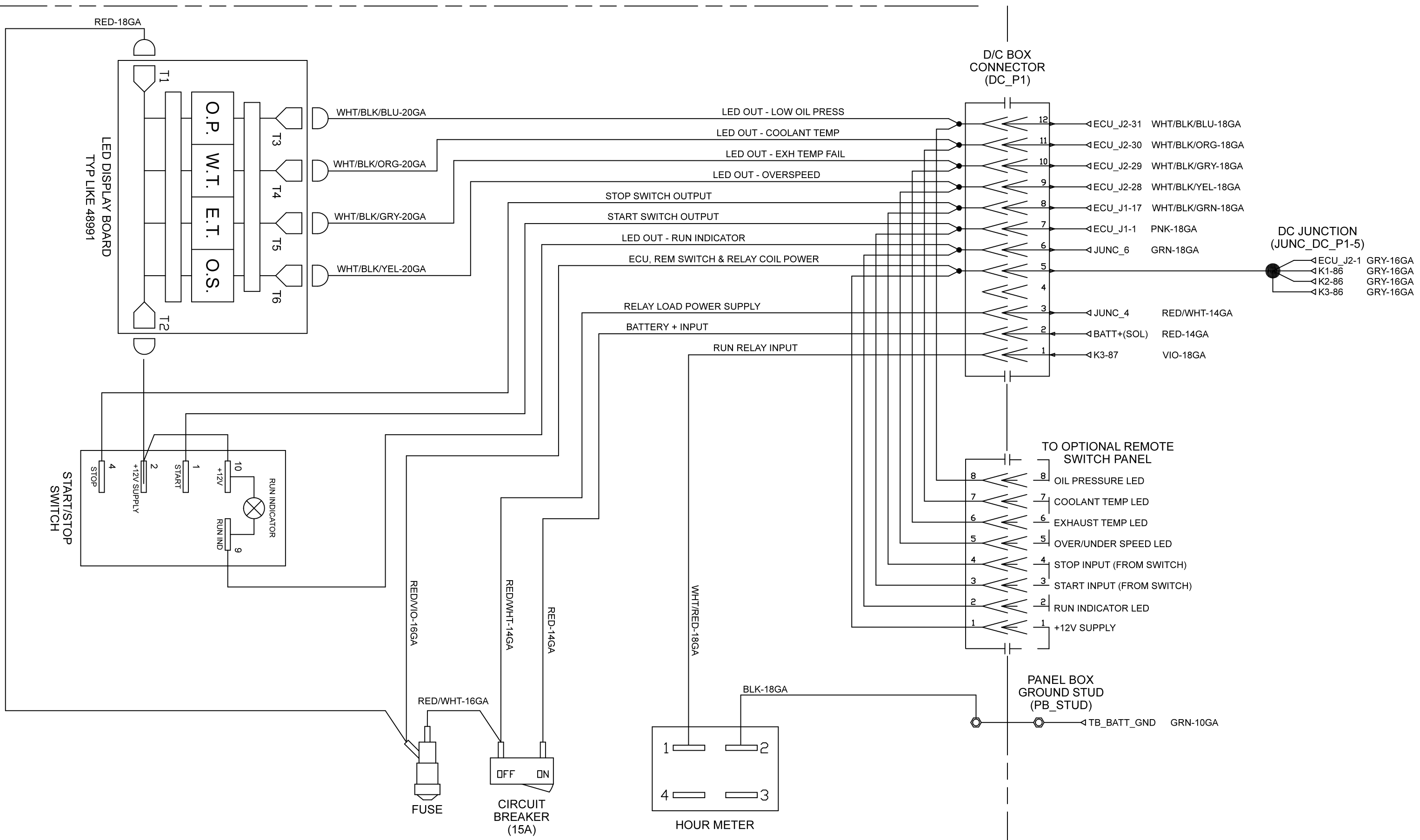


COMPONENTS LOCATED ON EXHAUST SYSTEM

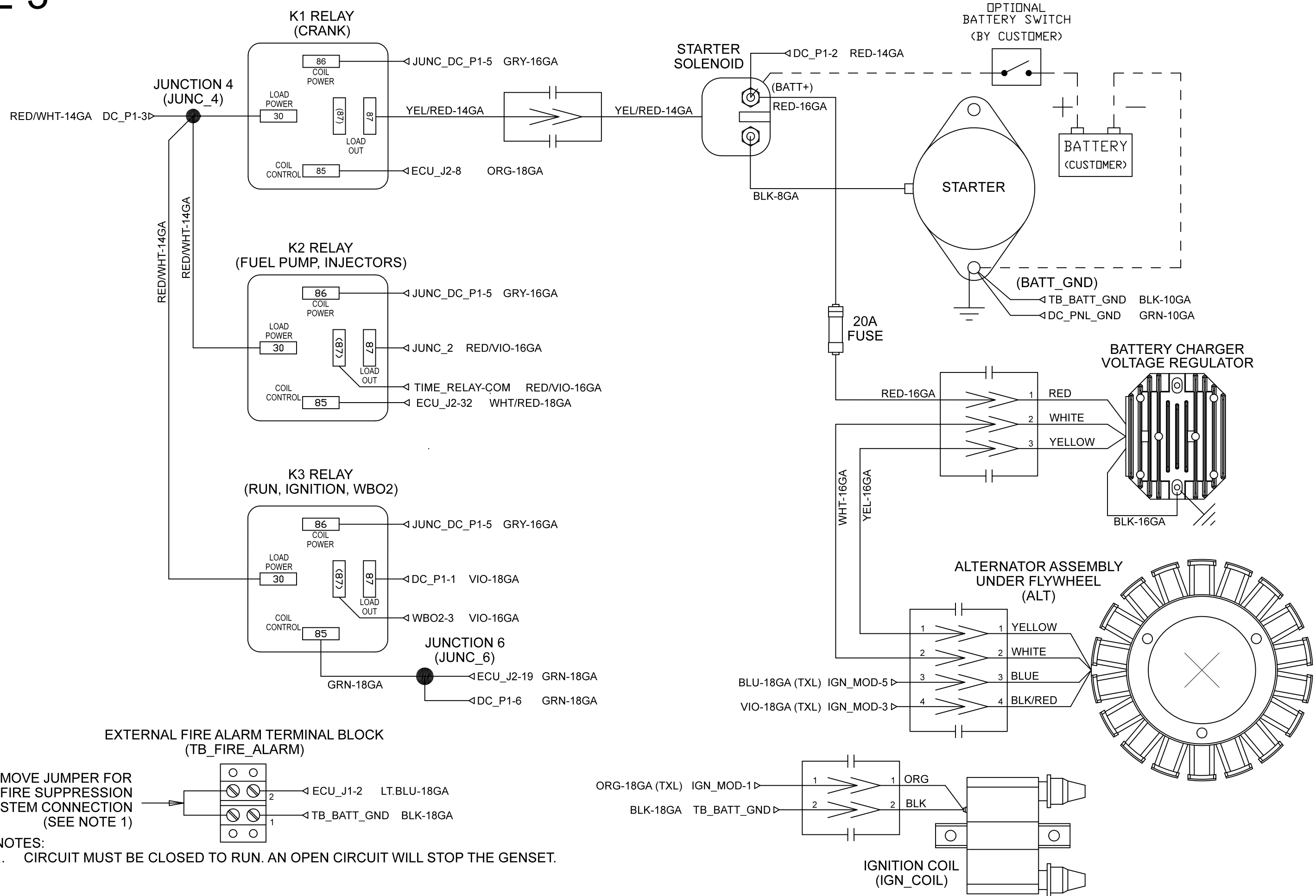


IGNITION MODULE LOCATED ON PANEL BOX

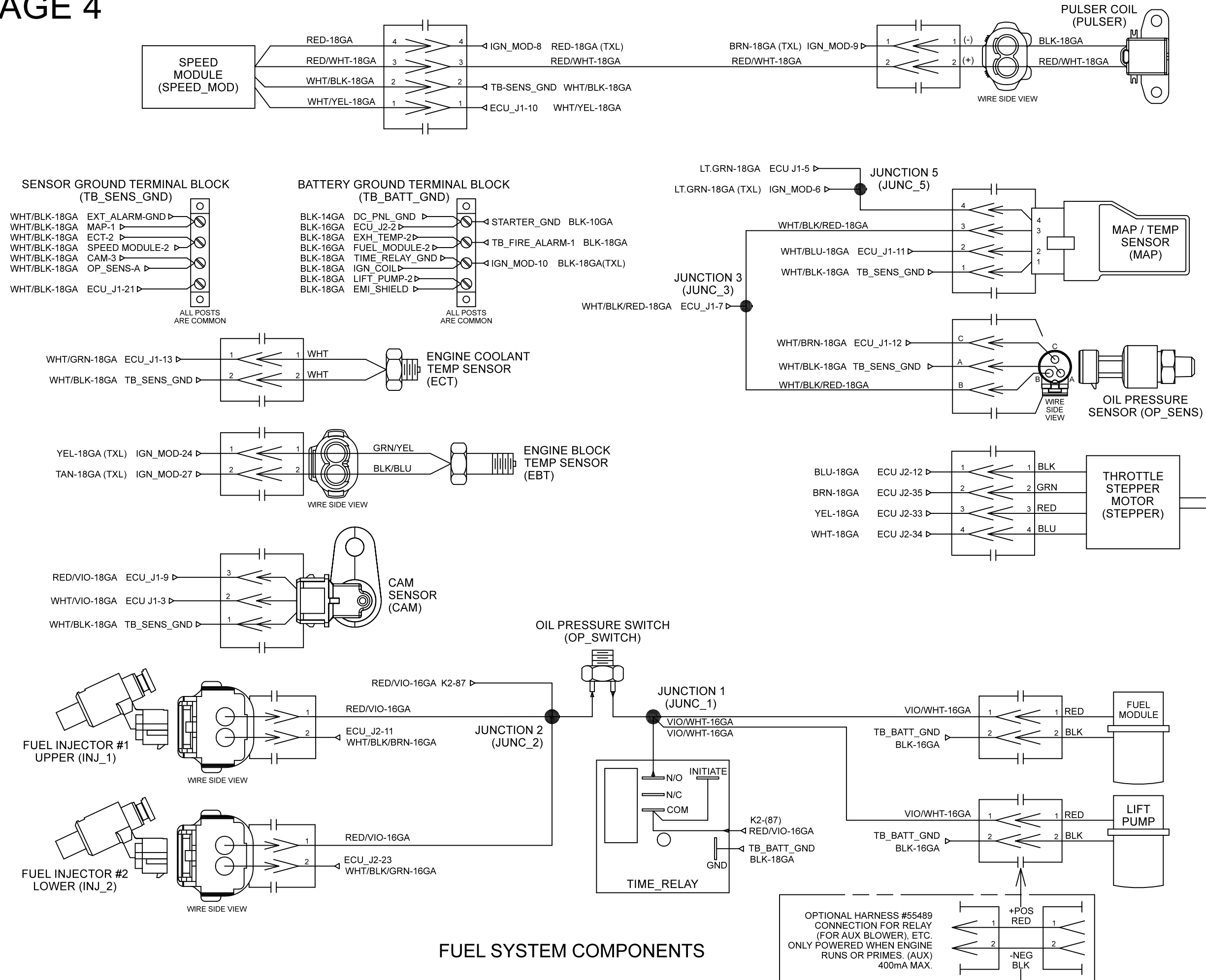




COMPONENTS LOCATED IN DC CONTROL PANEL BOX



NOTES:
 1. CIRCUIT MUST BE CLOSED TO RUN. AN OPEN CIRCUIT WILL STOP THE GENSET.



FUEL SYSTEM COMPONENTS